

# Visual Signals LIGHT EMITTING DIODE

## BEACONS

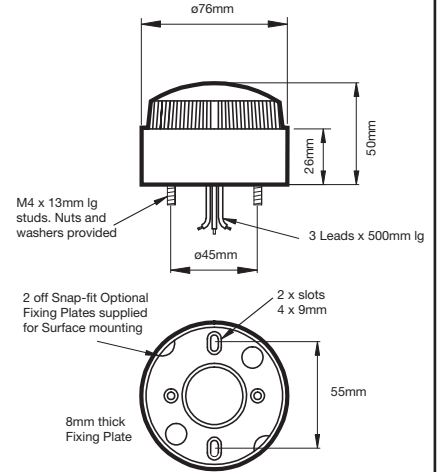


### Industrial LED Dual Function > LED80 Series

#### Product overview

The LED80 incorporates 12 ultra bright Surface Mount LEDs offering an economic solution for a wide range of general signalling solutions. Ideally suited for local indication the beacon is controlled by either two wires (flashing mode) or three

(static mode). The beacons are supplied fully assembled and ready for immediate installation. The unit offers two mounting options, either Stud Mount or Surface Mounting using the two piece fixing plate supplied. One plate is fixed to the appropriate surface the other to the beacon, the two plates then 'Snap Fit' together.



#### Features

- LED long life
- Extra bright
- Continuously Rate
- Wide operating voltage
- 180° Visibility
- Economical

#### Material

UV Stable Polycarbonate Lens and Body



Code No:	Voltage:	Light Source:	Current:
LED80-02	10-100v Dc ---	LED Array	90mA Flashing 200mA Static at 24v Dc
LED80-04	85/265v Ac ~	LED Array	20mA

**Kg** 0.14
**°C** -20+55
**IP** 67
**FPM** 60
**INDUSTRIAL**
**FIRE**

APPROVAL AND CONFORMITIES
RoHS
CE
ADD THE FOLLOWING LENS CODES TO THE PRODUCT CODE WHEN ORDERING
01
02
03
04
**MARINE**



# Visual Signals FLASHING FILAMENT

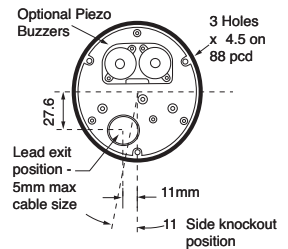
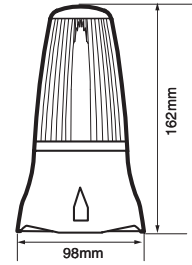
## BEACONS

### Industrial LED Multi Functional > LEDD & LEDA 125 Series

#### Product overview

Suitable for fire, security & industrial applications, these beacons offer three alternative light mode operations: Continuously ON, Rapid Flash 120 FPM or Standard Flash 60FPM, selected by a dip switch mounted lens side on

the PCB. The LEDA version incorporated two Piezo sounders situated in their base that are synchronised to the light mode. 'Ac' units are supplied with one meter of flying lead. 'Dc' units allow for termination inside the base enclosure. An M12 sealing gromet in the base allows for cable entry.



#### Features

- LED long life
- Extra bright
- Continuously rated
- Combined audible & visual signal
- Cage guard option - see accessory page
- 360° visibility
- 3 point fix

#### Material

- UV Stable Polycarbonate Lens
- UV Stable ABS Plastic Base



Code No:	Voltage:	Light Source:	Current:			
			01	02	03	04
LEDD125-02	24v Dc ---	48 LEDs	450 mA	250 mA	250 mA	250 mA
LEDD125-03	115v Ac ~	48 LEDs	450 mA	250 mA	250 mA	250 mA
LEDD125-04	230v Ac ~	48 LEDs	450 mA	250 mA	250 mA	250 mA
<b>For Audible Option</b>						
LEDA125-02	24v Dc ---	48 LEDs	450 mA	250 mA	250 mA	250 mA
LEDA125-03	115v Ac ~	48 LEDs	450 mA	250 mA	250 mA	250 mA
LEDA125-04	230v Ac ~	48 LEDs	450 mA	250 mA	250 mA	250 mA

**Kg** 0.57Ac 0.33Dc

50/60 **Hz**

°C -20+45

**IP** 65

**FPM** 60/120

**INDUSTRIAL**

APPROVAL AND CONFORMITIES



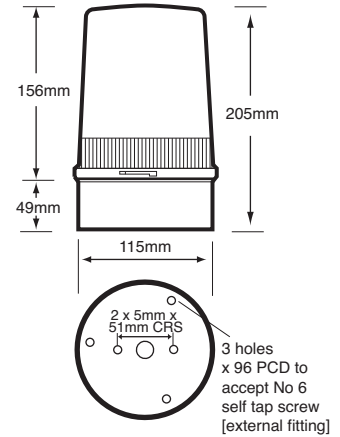
ADD THE FOLLOWING LENS CODES TO THE PRODUCT CODE WHEN ORDERING

01 02 03 04

**dB** 90

**FIRE**

# Visual Signals LIGHT EMITTING DIODE **BEACONS**



## Industrial LED Flashing | Rotating | Static Beacons > LED201/200 Series

### Product overview

The LED201/200 Series incorporates 144, ultra bright single colour LEDs. These beacons offer long life, low current consumption and are

virtually maintenance free. Suitable for fire, security and industrial applications. The LED201/200 offers static, flashing or rotating options by use of a jumper switch.

#### Features

Long Life

Continuously rated

Suitable for surface or wall mounting

Optional wall bracket & protective guard available - see accessory page

Suitable for conduit BESA box mounting

360° visibility

IP65

#### Material

UV Stable Polycarbonate Lens

UV Stable ABS Plastic Base

Code No:	Voltage:	Light Source:	Current:		
			Flashing	Rotating	Static
LED201-02	24v Dc ---	LED Array	0.05	0.10*	0.50 A
LED200-04*	115/230v Ac ~	LED Array	0.07	0.03*	0.07 A

\*Preset to 230v AC ~

\*2 Bar Rotating



**Kg** 1.0Ac 0.6Dc

50/60 **Hz**

°C -20+45

**IP** 65

**FPM** 60

**RPM** 120

APPROVAL AND CONFORMITIES



ADD THE FOLLOWING LENS CODES TO THE PRODUCT CODE WHEN ORDERING

**01** **02**

**INDUSTRIAL**

**FIRE**

# Visual Signals LIGHT EMITTING DIODE **BEACONS**

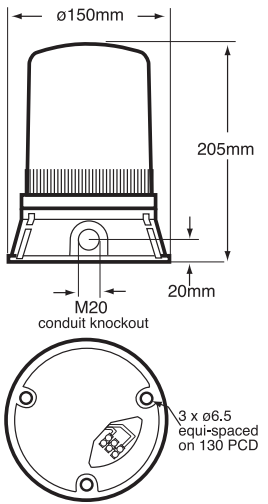


## Industrial LED Flashing | Rotating | Static Beacons > LED401/400 Series

### Product overview

The LED401/400 Series incorporates 144, ultra bright single colour LEDs. These beacons offer long life, low current consumption and are

virtually maintenance free. Suitable for fire, security and industrial applications. The LED401/400 offers static, flashing or rotating options by use of a jumper switch.



#### Features

- Long Life
- Continuously rated
- Suitable for surface or wall mounting
- Optional wall bracket & protective guard available - see accessory page
- Three-point DIN fixing
- 360° visibility
- IP65

#### Material

- UV Stable Polycarbonate Lens
- UV Stable ABS Plastic Base

Code No:	Voltage:	Light Source:	Current:		
			Flashing	Rotating	Static
LED401-02	24v Dc ---	LED Array	0.05	0.10*	0.50 A
LED400-04*	115/230v Ac ~	LED Array	0.07	0.03*	0.07 A

\*Preset to 230v AC ~      \*2 Bar Rotating



**Kg** 1.0Ac 0.6Dc

50/60 **Hz**

°C -20+45

**IP** 65

**FPM** 60

**RPM** 120



ADD THE FOLLOWING LENS CODES TO THE PRODUCT CODE WHEN ORDERING **01** **02**





# Audible + Visual > Tri - Colour LED PLC Controllable Beacon

## Product overview

The Spectrum 600 Series utilises ultra-bright, tri-colour LEDs in one enclosure producing amber, green and red light in conjunction with two synchronised piezo sounders. The beacon is a cost-effective alternative to traditional stacking beacons and other process indication applications where multiple signal outputs, long life and low power consumption are

required. The Spectrum 600 comes totally assembled and ready for immediate installation. In addition, the enclosure incorporates a high Ingress Protection (IP) rating and is manufactured from a tough, UV stable polycarbonate plastic that makes the beacon suitable for harsh industrial and marine environments. The Spectrum 600 requires external input signals for it to function. If no PLC (or similar) is available, then the Spectrum Interface Unit gives the end user a control option.

### Features

Three colours in one housing – **amber red green**

360° visibility

LED long life and low power

Combined beacon & piezo sounders

28 signal options

PLC controllable

Optional interface unit for non PLC operation – 7 preset signals

Ethernet compatible

Tough, UV stable polycarbonate housing

Code No:	Voltage:	Light Source:	Current:	
			Amber	Red/Green
LEDA600-01	24v Dc/230v Ac ---	Tri-Colour LED	450 mA	265 mA
LEDA600-03	24v Dc/115v Ac ---	Tri-Colour LED	450mA	265 mA
50165 Interface	230v Ac			
50166 Mounting Pole				
50004 Right-angled Wall Bracket				

### Material

UV Stable Polycarbonate Plastic



**Kg** 0.85

**°C** -35+55

**IP** 65 66 67 69K

**FPM** 60x90

**Hz** 50/60

**dB** 90

**MARINE**

**INDUSTRIAL**

## The Control Signal

The Control Signal must consist of a 5-bit word, which has to be assembled and transmitted in parallel mode to the Spectrum Beacon. The colour, flash frequency

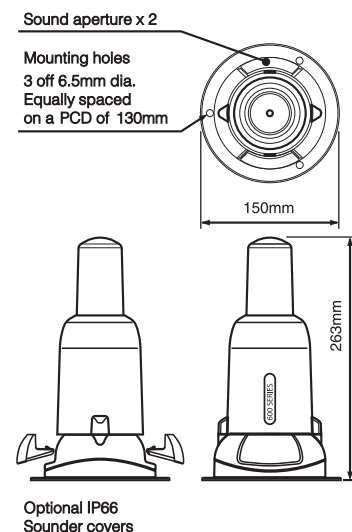
and sound are independent of one another but a colour signal is necessary for the control word to be accepted, thus any word beginning with 00 will not be accepted.

## 50165 Interface Unit (optional)

for further information download Interface Data Sheet from the website

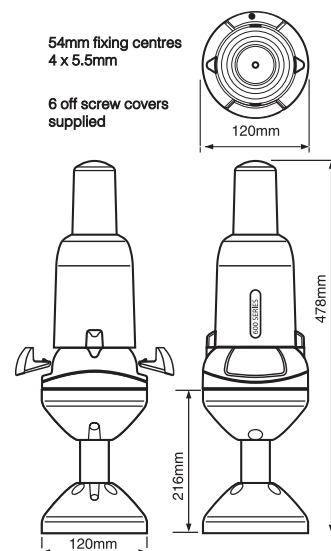
The Interface Unit contains seven electrically isolated prioritised channels. Each channel accepts 24-230v Ac or 12-48v Dc input. A pre-selected audio and/or visual signal is supplied for each of the seven channels. In the event of no signal being applied, the beacon displays continuous green. The operating voltage for the unit is 230v Ac. The design allows for a 12v Dc auxiliary

power supply for use in volt free applications. Additionally, the unit incorporates a battery [not supplied] back-up sufficient to maintain the unit for 12 hours in case of mains power failure. Provision is made for mains failure to be signalled from the interface unit (device not supplied). The unit is supplied complete with mounting plate and cover. This can be installed either inside an existing enclosure or into a standard weatherproof 'Fibox' IP67 mounting box [ref. MNX PCM200/63 G].



## Technical Specification

<b>Type</b>	LEDA600-01	24v Dc or 230v Ac
	LEDA600-03	24v Dc or 115v Ac
<b>Light Source</b>	Ultra-bright Tri-colour LEDs	
	Amber	3.9 Effective Candela (390 mcd) 450mA
	Green	6.2 Effective Candela (620 mcd) 265mA
	Red	4.4 Effective Candela (440 mcd) 265mA
<b>Signal Options</b>	Continuous	ON
	Slow Flash	60 fpm
	Rapid Flash 1	90 fpm (0.11sec ON, 0.23 OFF)
	Rapid Flash 2	90 fpm (0.23sec ON, 0.11 OFF)
<b>Sounder Type</b>	Electronic Piezo Sounders x 2 :	20mA
	db@1m	90dB ±3dB (horn covers not installed)
	Frequency	3.1Hz ±500Hz
	Visual and audible signalling options can be combined – audible signal synchronised with beacon flash	
<b>Operating Temp</b>	-35°C to +55°C	<b>Weight</b> 0.85 kg
<b>Enclosure Material</b>	UV Stable Polycarbonate Plastic	
<b>Ingress Protection</b>	IP65 & IP67 as standard as one enclosure. IP66 with sounder covers fitted. Sounder covers can be fitted (snap-fixed) or permanently (adhered) into place. Sounder covers supplied as standard.	
<b>Beacon Control</b>	The beacon is supplied with flying leads 2 x 1metre 4 core power cables and 6 core signal cables. For further information download the Technical Data Sheet from our website.	



### Mounting Options

The beacon has three mounting options:

Surface Mount Plate  
(3 point DIN fix) fitted as standard  
Side knockouts x 2 cabling in/out  
(15mm x 10mm)

Foot and Pole Mount (50166)

Right Angled Wall Bracket (50004)

# Visual Signals LIGHT EMITTING DIODE **BEACONS**

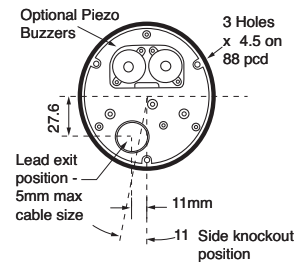
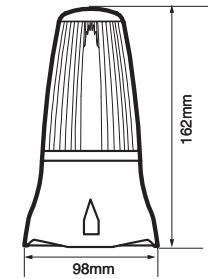


## LED Tri-Colour Audible Beacon > LEDA-01 PLC Controllable

### Product overview

This beacon type offers maximum flexibility in terms of visual and audible requirements. The beacon can produce 3 colours, Amber, Green and Red in conjunction with an audible signal. Two piezo sounders situated in the base of the

unit can be synchronised with any colour and flash rate required. The unit requires PLC control to function. Ideally suited to status control the beacon is a cost effective alternative to the traditional tower light. An M12 sealing grommet in the base allows for cable entry and termination inside the enclosure. Maximum cable size is 5mm.



### Features

- LED Long life
- Extra bright
- Tri-colour
- Combined audible & visual signal
- 360° visibility
- Cage guard option available - see accessory page

### Material

- UV Stable Polycarbonate Lens
- UV Stable ABS Plastic Base



Code No:	Voltage:	Light Source:	Current:	
LEDA125-01	24v Dc ---	48 SM LEDs	Amber 450mA	Green/Red 265mA

**Kg** 0.33

**°C** -20+45

**IP** 65

**dB** 90

**INDUSTRIAL**

