

PIEZO BUZZERS

ACOUSTIC

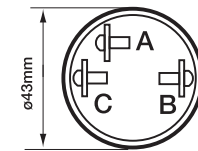


Acoustic Signals > AE20M Piezo Buzzer Series

Product overview

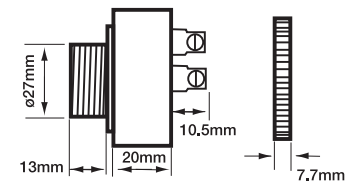
The AE20M Piezo Buzzer Series offers an economical and cost effective solution for local area applications. At only

43mm diameter, the buzzer offers the installer an unobtrusive acoustic signal in a wide range of voltages with most voltages offering pulsed or continuous tone capability.



Connections for 115v & 230v
Tone Terminals
Pulsed A + B
Continuous A + C

Connections for 12v to 48v
Tone Terminals
Pulsed B + A
Continuous B + C



Features

Compact

90 dB

Pulsed or continuous tone

Local signalling applications

IP55

Material

ABS Plastic

Code No:	Voltage:	Frequency:	Current:
AE20M-12 [•]	12v Ac/Dc ~	2900 Hz	20 mA
AE20M-24	24v Ac/Dc ~	2900 Hz	10 mA
AE20M-48	48v Ac/Dc ~	2900 Hz	10 mA
AE20M-115	115v Ac ~	2900 Hz	20 mA
AE20M-230	230v Ac ~	2900 Hz	10 mA

[•] Pulsed tone only



Kg 0.08

50/60 Hz

°C -20+60

IP 55

dB 90

PULSED OR CONTINUOUS

APPROVAL AND CONFORMITIES



INDUSTRIAL

ELECTRONIC ACOUSTIC

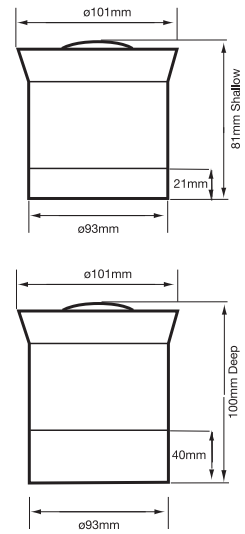


Acoustic Signals Electronic Sounders > AE40M Series

Product overview

The AE40M Series is an 8-tone electronic sounder available in 10-30v Dc and 230v Ac versions. This product is ideal for fire alarm and close proximity

industrial applications. The Dc version is available in both deep base or shallow base, with deep base offering side entry and increased IP protection. The Ac version is deep base as standard.



Features

Low current consumption

IP54 or 65

Selectable tones (8)

Suitable for use with the Easy AVR upgrade LED

Material

ABS Plastic

Code No:	Voltage:	Frequency:	Current:
AE40M-24R-SB	10-30v Dc ---	800-2580 Hz	32 mA•
AE40M-24R•	10-30v Dc ---	800-2580 Hz	32 mA•
AE40M-230R•	230v Ac ~	800-2580 Hz	50 mA

• Current at 24v Dc ---



Kg 0.32

°C -20+45

IP 54/65•

8 TONES CONTINUOUS

FIRE

dB 100

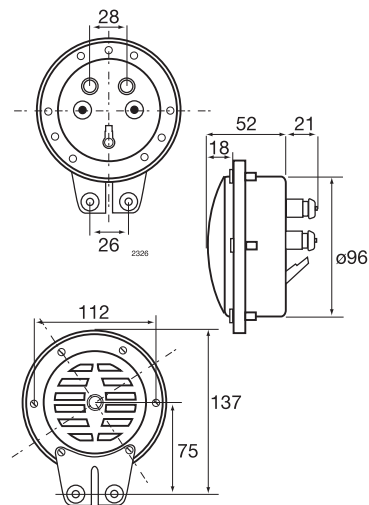
APPROVAL AND CONFORMITIES



INDUSTRIAL

INDUSTRIAL BUZZERS

ACOUSTIC



Acoustic Signals Industrial Buzzers > AE95 Series

Product overview

The AE95 is a medium output low frequency mechanical buzzer. The IP protection can be increased to IP55 by use of the optional weatherproof back

box. The AE95 is suitable for a wide range of applications including fork lift trucks, emergency alarms, process control alarms and for mechanical handling machinery.

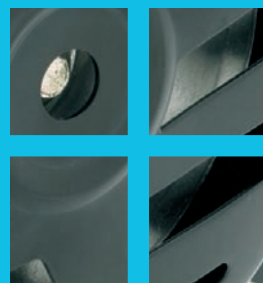
Features

- Industrial buzzer
- Wide voltage range
- Low frequency tone
- 10 minute rating
- IP53 (IP55 with back box)
- 110dB @ 1m
- Rated 10 min On / 10 min Off

Material

Mild Steel

Code No:	Voltage:	Frequency:	Current:
AE95-05	24/48v Ac/Dc ~	335 Hz	0.8 A
AE95-06	115/230v Ac/Dc ~	335 Hz	0.4/0.2A
AE95-BB	Weatherproof back box •		



Kg 0.68

50/60 Hz

°C -20+66

IP 55 / 65°

ON 15 MINS OFF 1 MINS

INDUSTRIAL

APPROVAL AND CONFORMITIES



dB 115



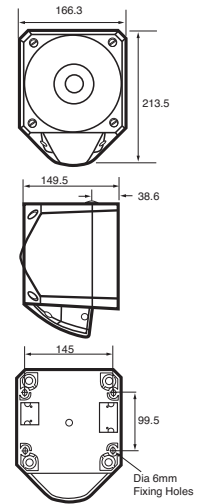
Acoustic Signals Electrical Sounders > High Output Audio Visual

Product overview

These alarm sounders have been designed for Fire, Industrial & Marine applications where an audible and visual options may be required. The units incorporate wide

operating voltages, a choice of 64 tones that are automatically synchronised on multi unit installation. All units offer wire to base installation for first fix convenience, and has been specifically designed to allow for ease of final fix installation.

ELECTRONIC ACOUSTIC



Features

- Volume control (+/- 20dB)
- Vds approved
- Three stage alarm
- Audible & visual option
- 5 Joule Xenon

Material

Flame Retardant ABS

Code No:	Voltage:	Current:	dB at 1m
AE110-02	10-60v Dc ---	10-50mA	110
AE110-03	24-48v Ac ---	10-50mA	110
AE110-04	115/230v Ac ~	40mA	110
With Xenon Beacon Fitted:			
AEX110-02	10-60v Dc ---	300mA	110
AEX110-04	115/230v Ac ~	110mA	110



Kg 1.2

50/60 Hz

°C -25+55 Ac
-25+70 Dc

IP 66

MARINE

INDUSTRIAL

APPROVAL AND
CONFORMITIES



ADD THE FOLLOWING LENS
CODES TO THE PRODUCT
CODE WHEN ORDERING

01

02

03

04

05



FIRE

INDUSTRIAL SIRENS

ACOUSTIC

AS300



AS400

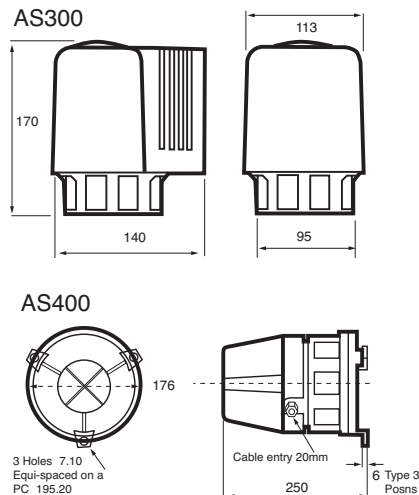


Acoustic Signals > Industrial | Mechanical Sirens

Product overview

These sirens have been designed for a wide range of applications where a loud commanding signal is required. The AS300 series is designed for surface mounting with a separate mounting plate to allow for ease of installation. The unit comes pre-wired and is supplied

with 1 metre of cable. The AS400 series is a vertical mounted siren, manufactured for heavy duty environments and is of rugged construction. The low sound frequency it produces is ideal for use over medium size areas. Both sirens are weatherproof when mounted according to instructions supplied.



Features

High sound output

127 dB for AS300

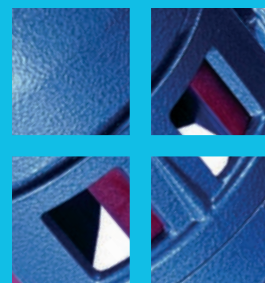
125 dB for AS400 for Ac & 116 dB for Dc at 1 metre

Continuously rated

Material

AS300 - ABS Construction

AS400 - Cast Aluminium Body and Noryl Rotor



Code No:	Voltage:	Frequency:	Current:
AS300M-115	115v Ac/Dc	1680 Hz	2.7A
AS300M-230	230v Ac/Dc	1680 Hz	1.0A
AS400M-24	24v Dc ---	900 Hz	8.0A
AS400M-115	115v Ac/Dc	900 Hz	3.0A
AS400M-230	230v Ac/Dc	900 Hz	1.4A

Kg 1.8 AS300
4.5 AS400

50/60 **Hz**

°C -30+45

IP 55

FIRE

INDUSTRIAL

APPROVAL AND CONFORMITIES





MARINE BUZZER

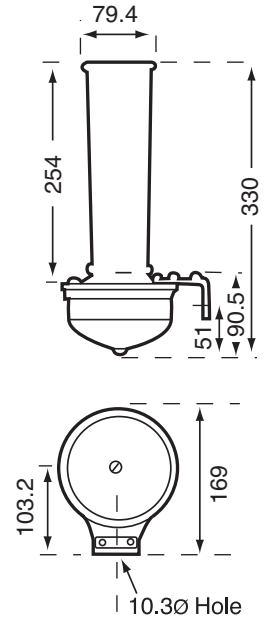
ACOUSTIC

Acoustic Signals Industrial | Marine Buzzer > ABHF8 Series

Product overview

The ABHF8 Series buzzer is a weatherproof signalling horn designed for both industrial and light marine applications. Producing a high output penetrating

sound, it is particularly suitable for use on small boats and canal barges as well as for industrial uses such as time signalling and process control alarms. With a wide voltage range and rugged metal casting, it is suitable in almost any environment.



Features

- Industrial/marine buzzer
- High output penetrating sound
- IP65
- 111dB @ 1m
- Rated 10 min On / 10 min Off

Material

Brass

Code No:	Voltage:	Frequency:	Current:
ABHF8-1437	24/48v Ac/Dc ~	335 Hz	0.80 A
ABHF8-1436	115/230v Ac/Dc ~	335 Hz	0.4/0.2 A



Kg 2.10	50/60 Hz	°C -20+50	IP 65	ON 15 MIN OFF 5 MIN	INDUSTRIAL
APPROVAL AND CONFORMITIES	RoHS	CE	MARINE	dB III	

INDUSTRIAL BUZZERS

ACOUSTIC

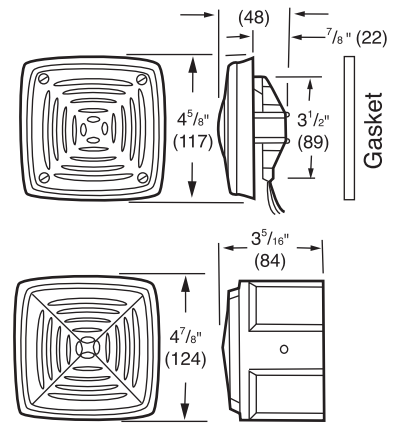


Acoustic Signals Industrial Buzzers > Adaptahorn Series

Product overview

The Adaptahorn buzzer has a powerful output giving a penetrating, low frequency sound. With a variety of mounting options, they can be used in almost any

application, both indoors and outdoors. Adaptahorns are available as a grill version for flush mounting and also as a weatherproof version. Back box pre-tapped at 3/4" NPT. M20 adaptor available upon request.

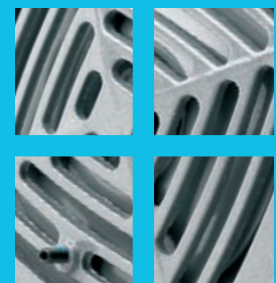


Features

- High output penetrating sound
- Volume control
- Durable, long life mechanism
- Continuously rated

Material

Zinc Alloy



Code No:	Voltage:	Frequency:	Current:
ABK877-G1	24v Dc ---	350-400 Hz	0.16 A
ABK876-N5	120v Ac ~	350-400 Hz	0.13 A
ABK876-R5	230v Ac ~	350-400 Hz	0.06 A

Kg 1.6
 50/60 **Hz**
 °C -35+66
IP 65
 CONTINUOUS
 INDUSTRIAL



dB 112

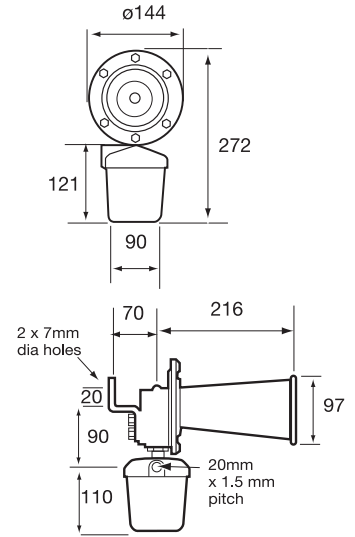


HOOTERS ACOUSTIC

Acoustic Signals Industrial Hooters > A1 Series Product overview

The A1 is a powerful motor driven hooter giving the unique 'Klaxon' sound. The high output, low frequency resonating sound gives a powerful warning tone. With a sound output of 120dB,

it can cut through background noise in almost any environment and is ideal for use as a time signalling alarm or process alarm in the noisiest factory. In addition, the A1 can be used on barges, work boats and dock sides and for other similar marine applications.



Features

- Powerful, high output 120dB
- Robust construction
- Weatherproof to IP65

Material

- Die cast aluminium & zinc
- Mild steel
- ABS Plastic

Code No:	Voltage:	Frequency:	Current:
AHA1-2000	12v Dc ---	420 Hz	5.0 A
AHA1-2001	24v Dc ---	420 Hz	2.30 A
AHA1-2002	48v Dc ---	420 Hz	1.30 A
AHA1-2004	115v Ac ~	420 Hz	0.84 A
AHA1-2003	230v Dc ---	420 Hz	0.80 A
AHA1-2006	230v Ac ~	420 Hz	0.76 A



Kg 2.0

50/60 Hz

°C -35+66

IP 65

ON 2 MIN OFF 5 MIN

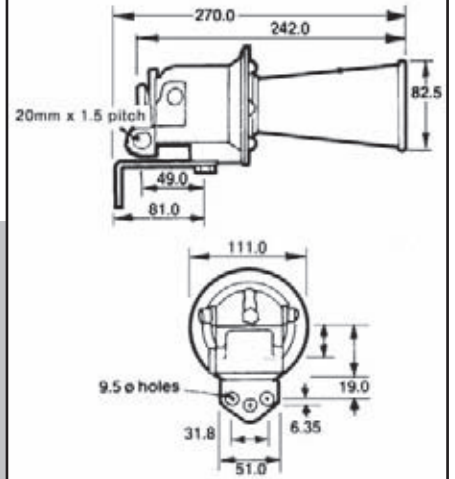
INDUSTRIAL

APPROVAL AND CONFORMITIES

dB 120

MARINE

HOOTERS ACOUSTIC



Acoustic Signals Industrial Hooters > Klaxet Series

Product overview

The Klaxet is a motor driven hooter giving the unique 'Klaxon' sound. The high output, changing frequency note gives a powerful warning tone which can be heard above background noise in industrial

applications. The Klaxet is ideal for time signalling, process control alarms, telephone extension ringing (as originally used by British Telecom) and cranes. Manufactured with a cast iron housing, the Klaxet is designed to withstand rugged use in all situations.

Features

- Powerful, high output 111dB
- Robust construction
- Weatherproof to IP54

Material

Cast iron / mild steel

Code No:	Voltage:	Frequency:	Current:
AHKLAXET-1000	12v Dc ---	470 Hz	2.50 A
AHKLAXET-1001	24v Dc ---	470 Hz	1.00 A
AHKLAXET-1008	115v Ac ~	470 Hz	0.50 A
AHKLAXET-1010	230v Ac ~	470 Hz	0.33 A



Kg 1.60
 50/60 **Hz**
 °C -20+40
IP 54
 ON 1 MIN OFF 5 MIN
 INDUSTRIAL

APPROVAL AND CONFORMITIES

dB III

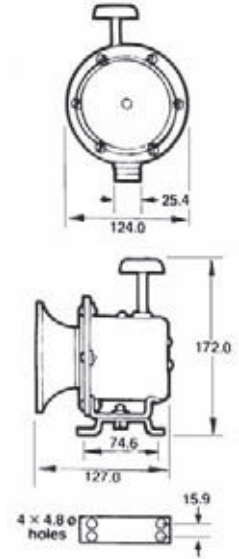
HOOTERS ACOUSTIC



Acoustic Signals Industrial Hooters > ES Manual Series Product overview

The ES is a manually operated hooter producing the unique 'Klaxon' sound for applications where a power supply is unavailable. Typical

applications include small boats, canal barges, mine trucks and fork lift trucks. The ES gives a powerful sound which, with its low frequency tone, makes it an effective warning device.



Features

- Manual operation – no power supply required
- Lightweight and compact
- Robust and reliable

Material

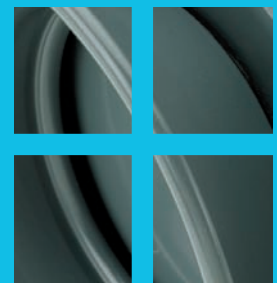
Mild steel

Code No:

Frequency:

AHES-1290

150-350 Hz



Kg 1.20

dB 103

IP 54

INDUSTRIAL

APPROVAL AND CONFORMITIES



MARINE | INDUSTRIAL AIRHORNS

ACOUSTIC

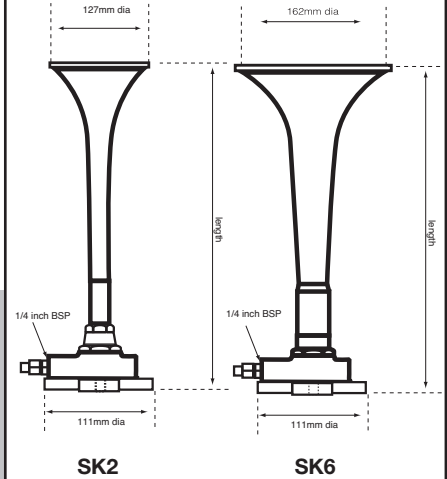


Acoustic Signals Industrial Air Horns > SK Series

Product overview

The SK Series of air horns are manufactured from non-ferrous materials which offer high corrosion and weatherproof resistance for use in railway and marine applications as well

as general purpose signalling. Operated from a compressed air supply, their powerful high output low frequency sound cuts through background noise to provide an effective warning. Optional compressor available for applications which do not have an on-site air supply.



Features

- Continuous signal
- Optional compressor if no direct air supply available
- 120-134dB at 1m
- Robust construction
- Easy to install

Material

Brass/Phosphur bronze



Code No:	Length:	dB:	Air Consumption:	Air Pressure:	Rating:
APSK6-GM	341mm	132	50-100 L/min	50-100 psi	Continuous
APSK2-GM	358mm	120	50-100 L/min	10-30 psi	Continuous
APSK2-EM	435mm	134	50-100 L/min	10-30 psi	Continuous
APSK6-EM	437mm	124	50-100 L/min	50-100 psi	Continuous

APSK-Compressor for SK2 only (49mm o/d, 116mm L, 0.41kg, 14 PSI, 24v DC)

Kg 1.80

GM 370 **Hz**

EM 315 **Hz**

IP 66

dB 120 -134

INDUSTRIAL

INDUSTRIAL AIRHORNS

ACOUSTIC

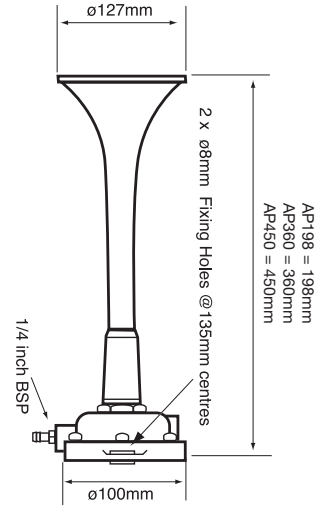


Acoustic Signals Industrial Airhorns > AP Series

Product overview

The AP Series of air horns are suitable for general purpose signalling where high output is required such as foundries, steelworks and petrochemical plants. Operated from a

compressed air supply, their powerful low frequency sound cuts through background noise to provide an effective alarm. Optional compressor available for applications which do not have an on-site air supply.



Features

- Continuous signal
- Optional compressor if no direct air supply available
- 125dB @ 1m
- Robust construction

Material

- Aluminium Body
- Brass Horn

Code No:	Air Consumption:	Air Pressure:	Frequency:
AP198M	50-133 L/min	55-140 psi	660 Hz
AP360M	50-133 L/min	55-140 psi	387 Hz
AP450M	50-133 L/min	55-140 psi	307 Hz



Kg 1.4

°C -30+90

IP 66

dB 125

INDUSTRIAL

FIRE BELL

ACOUSTIC

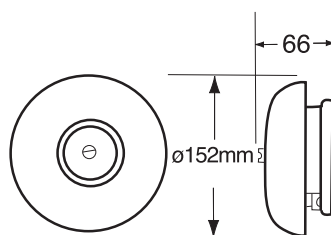


Acoustic Signals Fire Bell > A6FB Series

Product overview

The A6FB is an economy bell suitable for fire alarm signalling applications. It produces the traditional alarm bell sound and offers easy installation. The bell

has the following mounting options: 50mm and 60mm pitch holes suitable for BESA box mount; 4" square or single mount Gang Box.



Features

Diode polarized

98+3 dB

Terminal allows for 2+ and 2- cabling, up to 2.5mm²

Material

Steel Gong
Plastic Back Box

Code No:

Voltage:

Current:

A6FB-24DC-DP

18-28v Dc ---

15mA
at 24v Dc



Kg 0.5

°C -20+45

IP 42

FIRE

dB 98±3

APPROVAL AND CONFORMITIES



INDUSTRIAL | MARINE BELL

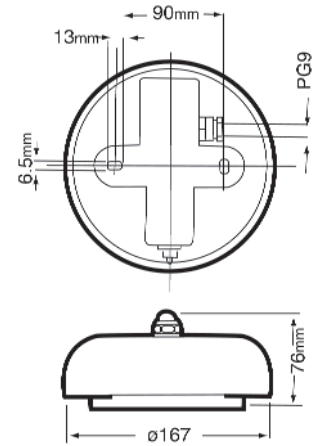
ACOUSTIC

Acoustic Signals Industrial & Marine Bells > IP66 Series

Product overview

The IP66 bell is a fully enclosed signal bell. It is suitable for areas where harsh weather conditions exist, such as

exposed outdoor locations, marine applications and wash/hose down areas. The solenoid driven mechanism produces a clear, loud tone.



Features

High quality penetrating sound

Weatherproof to IP66

Material

Steel gong

Code No:

Voltage:

Current:

A6B-12DC-IP66	12v Dc ---	0.06 A
A6B-24DC-IP66	24v Dc ---	0.03 A
A6B-115AC-IP66	115v Ac ~	0.90 A
A6B-230AC-IP66	230v Ac ~	0.50 A



Kg 1.00

dB 103

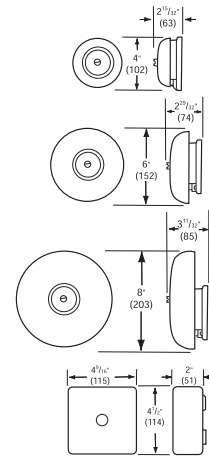
°C -30+50

IP 66

CONTINUOUS

INDUSTRIAL

INDUSTRIAL BELL ACOUSTIC



Acoustic Signals Industrial Bells > Adaptabel Series

Product overview

The Adaptabel range is a high quality solenoid driven bell designed for use in commercial, industrial and transportation applications. With a choice of three gong sizes, this unit delivers

a clear, loud ring which is free from mechanical clatter. The bigger the gong, the deeper, louder and more penetrating the sound. When fitted with the optional back box, the units are weatherproof and suitable for mounting in exposed locations. Red version available in 6" 24v Dc.

Features

- Supplied with a universal mounting plate for all installation options
- Rugged die-cast construction
- Robust and reliable
- Wide range of voltages available
- Optional IP65 weatherproof back box

Material

Steel gong

Code No:	Voltage:	Size:	dB:	Current:
A4B-K-12DC	12v Dc ---	101mm/4"	99dB	125 mA
A4B-K-24AC	24v Ac ~	101mm/4"	99dB	-
A4B-K-24DC	24v Dc ---	101mm/4"	99dB	62 mA
A4B-K-115AC	115v Ac ~	101mm/4"	99dB	34 mA
A4B-K-230AC	230v Ac ~	101mm/4"	99dB	22 mA
A6B-K-12DC	12v Dc ---	152mm/6"	101dB	125 mA
A6B-K-24AC	24v Ac ~	152mm/6"	101dB	-
A6B-K-24DC	24v Dc ---	152mm/6"	101dB	62 mA
A6B-K-24DCR	24v Dc ---	152mm/6"	101dB	-
A6B-K-115AC	115v Ac ~	152mm/6"	101dB	34 mA
A6B-K-230AC	230v Ac ~	152mm/6"	101dB	22 mA
A8B-K-24DC	24v Dc ---	203mm/8"	102dB	62 mA
A8B-K-115AC	115v Ac ~	203mm/8"	102dB	34 mA
A8B-K-230AC	230v Ac ~	203mm/8"	102dB	22 mA

AB-K-WPBB Weatherproof backbox • Cabling entries x 3 (3/4"NPT or M20)



Kg 1.0/1.4/2.3

dB 99 - 102

°C -35+66

IP 44/65°

CONTINUOUS

INDUSTRIAL

APPROVAL AND CONFORMITIES

