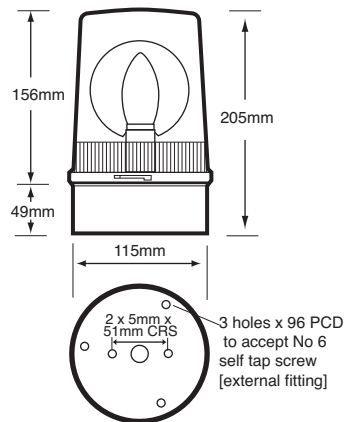


Visual Signals ROTATING

BEACONS



Industrial Rotating Beacons > R201/200 Series

Product overview

The R201/200 Series uses a parabolic reflector which, driven by an electric motor, revolves around a continuously illuminated lamp on the vertical axis of the

beacon creating a powerful beam of light travelling through 360 degrees. Generally, this type of beacon has a greater degree of light output than other models but this is off-set by the fact that the parabolic reflector only illuminates one given point at a time.

Features

- Continuously rated
- Suitable for use with conduit BESA box
- Suitable for surface or wall mounting
- Optional wall bracket & protective guard available – see accessory page
- Diode Polarised (DP) options available for fire alarm systems
- Magnetic base versions available
- Twin belt drive system
- IP65

Material

- UV Stable Polycarbonate Lens
- UV Stable ABS Mounting Base

Code No:	Voltage:	Light Source:	Current:
R201-13	12v Dc ---	H1 x 55w	4.70 A
R201-14	24v Dc ---	H1 x 70w	3.00 A
R201-29•	24v Dc ---	Ba15s x 10w	0.60 A
R201-60	12v Dc ---	Ba15d x 21w	1.85 A
R201-61•	24v Dc ---	Ba15d x 21w	0.95 A
R201-62	12v Dc ---	Ba15d x 48w	4.00 A
R201-63	24v Dc ---	Ba15d x 48w	2.00 A
R201-64	48v Dc ---	Ba15d x 35w	0.55 A
R200-03	24v Ac ~	Ba15d x 48w	2.00 A
R200-02	48v Ac ~	Ba15d x 35w	0.55 A
R200-04	115v Ac ~	Ba15d x 60w	0.55 A
R200-05	230v Ac ~	Ba15d x 60w	0.29 A
R200-04-MB	115v Ac ~	Ba15d x 60w	0.55 A
R200-05-MB	230v Ac ~	Ba15d x 60w	0.29 A

• Diode polarised MB – Magnetic Base



Kg 0.83

50 Hz

°C -10+55

IP 65

RPM 160±30 DC

RPM 120 AC

APPROVAL AND CONFORMITIES



ADD THE FOLLOWING LENS CODES TO THE PRODUCT CODE WHEN ORDERING

01 02 03 04 05

INDUSTRIAL

FIRE

Visual Signals ROTATING BEACONS

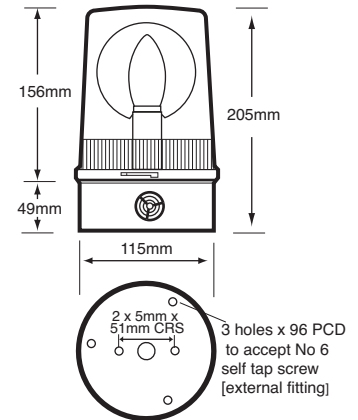


Industrial Rotating Beacons > RA201/200 Series

Product overview

The RA201/200 Series uses a parabolic reflector which, driven by an electric motor, revolves around a continuously illuminated lamp on the vertical axis of the beacon creating a powerful beam of light travelling

through 360 degrees. Generally, this type of beacon has a greater degree of light output than other models but this is off-set by the fact that the parabolic reflector only illuminates one given point at a time. The RA series also incorporates a Piezo Buzzer producing 85db, giving the user the peace of mind of two signals in one unit.



Features

- Continuously rated
- Suitable for use with conduit BESA box
- Suitable for surface or wall mounting
- Optional wall bracket & protective guard available – see accessory page
- Two signals in one unit
- Twin belt drive system
- IP65

Material

- UV Stable Polycarbonate Lens
- UV Stable ABS Mounting Base

Code No:	Voltage:	Light Source:	Current:
RA201-20	12v Dc ---	H1 x 55w	4.70 A
RA201-21	24v Dc ---	H1 x 70w	3.00 A
RA201-64	48v Dc ---	Ba15d x 35w	0.55 A
RA200-03	24v Ac ~	Ba15d x 48w	2.00 A
RA200-02	48v Ac ~	Ba15d x 35w	0.55 A
RA200-24	115v Ac ~	Ba15d x 60w	0.55 A
RA200-25	230v Ac ~	Ba15d x 60w	0.29 A



Kg 0.86

50 Hz

°C -10+55

IP 65

RPM 160±30 DC

RPM 120 AC



ADD THE FOLLOWING LENS
CODES TO THE PRODUCT
CODE WHEN ORDERING

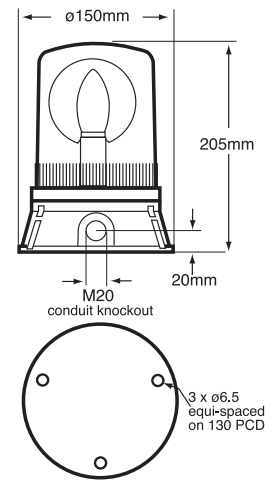
01 **02** **03** **04** **05**

INDUSTRIAL

dB 85

Visual Signals ROTATING

BEACONS



Industrial Rotating Beacons > R401/400 Series

Product overview

The R401/400 Din Base Series uses a parabolic reflector which, driven by an electric motor, revolves around a continuously illuminated lamp on the vertical axis of the beacon creating a powerful beam of light travelling through 360

degrees. Generally, this type of beacon has a greater degree of light output than other models but this is off-set by the fact that the parabolic reflector only illuminates one given point at a time. The 401/400 Series incorporates both bottom and side entry cabling access and mounting is achieved via external three point fixing.

Features

- Continuously rated
- Suitable for surface or wall mounting
- Optional wall bracket & protective guard available – see accessory page
- Twin belt drive system
- Optional M20 side-entry conduit knockout
- IP65

Material

- UV Stable Polycarbonate Lens
- UV Stable ABS Mounting Base

Code No:	Voltage:	Light Source:	Current:
R401-13	12v Dc ---	H1 x 55w	4.70 A
R401-14	24v Dc ---	H1 x 70w	3.00 A
R401-60	12v Dc ---	Ba15d x 21w	1.85 A
R401-61	24v Dc ---	Ba15d x 21w	0.95 A
R401-62	12v Dc ---	Ba15d x 48w	4.00 A
R401-63	24v Dc ---	Ba15d x 48w	2.00 A
R401-64	48v Dc ---	Ba15d x 25w	0.60 A
R400-03	24v Ac ~	Ba15d x 48w	2.00 A
R400-02	48v Ac ~	Ba15d x 25w	0.55 A
R400-04	115v Ac ~	E14 x 60w	0.55 A
R400-05	230v Ac ~	E14 x 60w	0.29 A



Kg 0.98
50 Hz
°C -10+55
IP 65
RPM 160±30 DC
RPM 120 AC

APPROVAL AND CONFORMITIES
ADD THE FOLLOWING LENS CODES TO THE PRODUCT CODE WHEN ORDERING
01
02
03
04
05
INDUSTRIAL

Visual Signals AUTOMOTIVE BEACONS

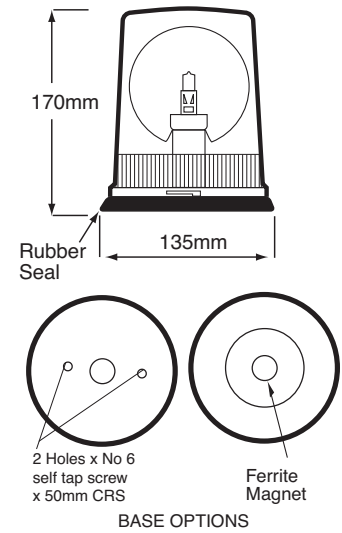


Automotive Rotating Beacons > R88 Series

Product overview

The R88 Series uses a parabolic reflector which, driven by an electric motor, revolves around a continuously illuminated lamp on the vertical axis of the beacon creating a powerful beam of light travelling through 360 degrees. Generally, this type of beacon

has a greater degree of light output than other models but this is off-set by the fact that the parabolic reflector only illuminates one given point at a time. The R88 is available as either a permanent fixed unit or with a magnetic base and vehicle lighter socket lead for temporary and occasional use. This is ideal for when the beacon is not required to be fixed permanently to the roof of the vehicle.



Features

Continuously rated

Choice of magnetic or fixed mounting options

Worm drive system

IP65

Material

UV Stable Polycarbonate Lens
Acetal Base with Neoprene Cover

Code No:	Voltage:	Light Source:	Current:
ROTATING MB (Magnetic Base)			
R88-34	12v Dc ---	H1 X 55w	4.70 A
R88-38	24v Dc ---	H1 X 70w	3.00 A
ROTATING SF (Fixed Base)			
R88-37	12v Dc ---	H1 X 55w	4.70 A
R88-39	24v Dc ---	H1 X 70w	3.00 A

ROTATING MB (Magnetic Base)

R88-34	12v Dc ---	H1 X 55w	4.70 A
R88-38	24v Dc ---	H1 X 70w	3.00 A

ROTATING SF (Fixed Base)

R88-37	12v Dc ---	H1 X 55w	4.70 A
R88-39	24v Dc ---	H1 X 70w	3.00 A



Kg 1.11 MB

Kg 0.67 SF

°C -25+55

IP 65

FPM 160±30

AUTOMOTIVE

APPROVAL AND
CONFORMITIES



ADD THE FOLLOWING LENS CODES TO
THE PRODUCT CODE WHEN ORDERING

01

02

03

04

05