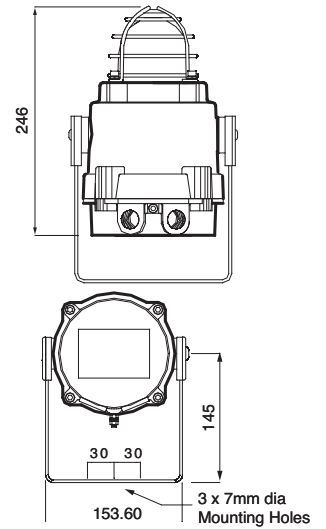




**BEACONS**



Explosion Proof 5J Xenon  
Beacons > EX150 Series

Product overview

The EX150 series is an explosion proof xenon beacon suitable for use in potentially explosion proof environments. The unit is supplied with a lens guard as standard and the mounting bracket allows for a

360 degree mounting option  
This unit has an inbuilt auto synchronisation facility that allows synchronisation when installed in multi beacon installations or alternatively the unit can be set to Flip Flop mode. The 24v Dc version has a line monitoring feature.

**Features**

- Suitable for Zones 1, 2, 21 & 22 subject to temperature restrictions
- Gas groups IIC, IIB & IIA
- 50/60Hz
- EExd IIC T4
- Rugged construction
- 5 Joule power rating

**Material**

- Aluminium LM6M Body
- Hardened Glass Lens
- Stainless Steel Accessories

Code No:	Voltage:	Light Source:	Current:
EX150-07	24v Dc ---	Xenon 5J	0.30A
EX150-08	48v Dc ---	Xenon 5J	0.18A
EX150-09	115v Ac ~	Xenon 5J	0.14A
EX150-10	230v Ac ~	Xenon 5J	0.06A



**Kg 2.75**

**°C -50+70**

**IP 67**



ADD THE FOLLOWING LENS CODES TO THE PRODUCT CODE WHEN ORDERING **01** **02** **03** **04** **05**

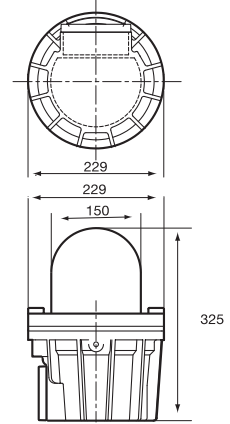
**50/60 Hz**



# Visual Signals EXPLOSION PROOF



## BEACONS



## Explosion Proof 10J Xenon Beacons > EX201-200 Series

### Product overview

The EX201 Series is an explosion proof xenon beacon range for operation in Zone 1 applications. They offer a wide range of voltages and also single or double flash options. Supplied with a protective guard as standard and of robust construction, the

EX201 series is ideal for hazardous area applications which require a product to withstand the most demanding of environments. The body is constructed of marine grade aluminium offering corrosion resistance and the lens is made from toughened borosilicate heat resistant glass.

### Features

Rated for Category 1 use (formally Zone 1 & 2)

ATEX approved

II 2 G EEx de IIC T3 (T4)

2 x M20 Conduit

10 Joules

Single or double flash

Wide range of voltages

Protective guard fitted as standard

Robust housing

### Material

Marine Grade Aluminium  
Toughened Glass Lens

Code No:	Voltage:	Light Source:	Current:
EX201-07	12/24v Ac/Dc ~	Xenon 10/7.5J	1.45/0.7A
EX200-09	115v Ac ~	Xenon 10/7.5J	0.10A
EX200-10	230v Ac ~	Xenon 10/7.5J	0.06A

Pre-set at 24v  
Diode Polarised option available



**Kg 9.0**

**°C -25+66**

**IP 66**



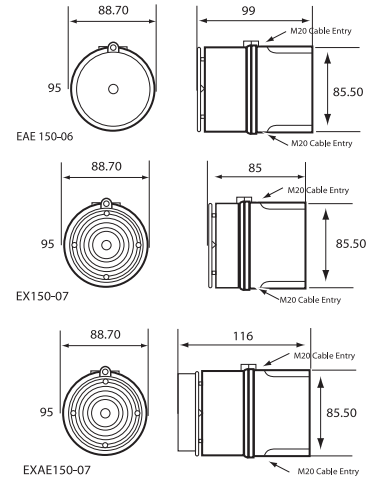
ADD THE FOLLOWING LENS CODES TO THE PRODUCT CODE WHEN ORDERING **01** **02** **03** **04** **05**

**50/60 Hz**



# Visual | Audible Signals EXPLOSION PROOF

## BEACONS



## Intrinsically Safe Signal Range LED | Sounder | Combination Signals >

### Product overview

Comprising of an alarm sounder with three alarm stages, a LED beacon fitted with 6 high intensity LEDs and a combined unit. These units need to be used with

a suitable zener barrier whose output parameters do not exceed  $V_o$  28v Dc,  $I_o$  93mA,  $P_o$  660mW or form any galvanic isolator specified by the system certificates.

### Features

Rated for Category 1 use (formerly Zone 0, 1 & 2)

ATEX approved

II 1G EEx ia IIC T4

49 Tones

100dB @ 1m

Volume control

2 x 20mm cable entries

### Material

Flame Retardant ABS UL 94 V0

Code No:	Voltage:	Light Source:	Current:
EAE150-06	16-28v Dc ---		25 mA
EX150-06	16-28v Dc ---	LED Array high intensity	25 mA
EXAE150-07	16-28v Dc ---	LED Array high intensity	48 mA
Zenerbarrier	16-28v Dc ---		



**Kg** 0.2 to 0.3

**dB** 100

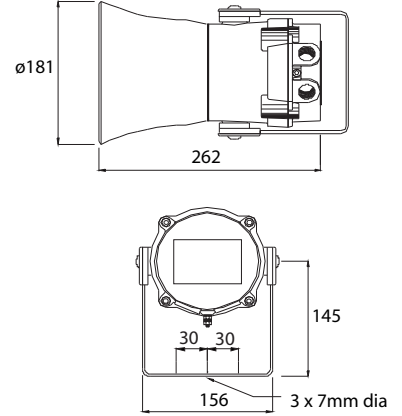
**°C** -40+60

**IP** 65





**SOUNDERS**



Explosion Proof Audible  
Sounders >

Product overview

This high decibel 32 tone selectable electronic sounder gives the user a choice of the 1st stage alarm tone with stage 2 and 3 fixed at manufacture. The tones include those covering the PFEER/UKOOA requirements.

**Features**

Rated Category 1 use (formerly Zone 1 & 2)

ATEX approved

II 2 G EExd IIC T4

117dB @ 1m

2 x 20mm cable entries

4mm terminals for ease of connection

**Material**

Marine Grade LM6 Aluminium



**Code No:**                      **Voltage:**                      **Current:**

EAE100-24	24v Dc ---	250 mA
EAE100-115	115v Ac ~	110 mA
EAE100-230	230v Ac ~	56 mA

**Kg** 3.20 DC 3.40 AC

**dB** 117

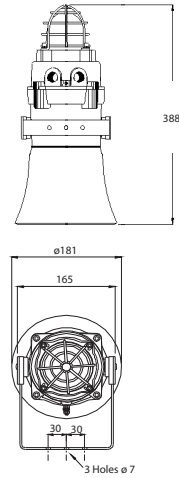
**°C** -50+55

**IP** 67





**BEACONS**



Explosion Proof Xenon Beacon Sounders > EXAE Series

Product overview

The combined xenon beacon/sounder offers the installer both visual and acoustic signals in one unit. The audio-visual components can be operated from a single power source or separately, offering unrivalled flexibility.

**Features**

Rated Category 1 use (formerly Zone 1 & 2)

ATEX approved

II 2 G EExd IIC T4

117dB @ 1m

5 Joule beacon output

2 x 20mm cable entries

4mm terminals for ease of connection

**Material**

Marine Grade LM6 Aluminium

Code No:	Voltage:	Light Source:	Current:
EXAE100-24	24v Dc ---	Xenon 5J	250 mA
EXAE100-115	115v Ac ~	Xenon 5J	140 mA
EXAE100-230	230v Ac ~	Xenon 5J	56 mA



**Kg** 4.8DC 5.0AC

**dB** 117

**°C** -50+55

**IP** 67

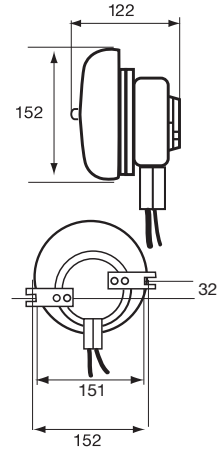
**FPM** 60

**EXPLOSION PROOF**





## BELLS



## UL Explosion Proof Bells > Product overview

The Adaptabel range of explosion proof, UL approved bells produce a distinctive, loud and clear ringing that is free of mechanical clatter. The striker hits the gong in a continuous, rapid-fire action as long as current is applied and the low power drain ensures efficient operation over longer periods.

These 6" bells have a corrosion-resistant finish and include a sealing fitting for 3/4" conduit and wire leads for power connections in hazardous locations. Diode polarized version available on 24v Dc. An adjustment free, self-compensating plunger, mounts to any solid surface using 3/8" (10mm) fasteners.

### Features

UL Listed for Class I  
Divisions 1 & 2  
Groups B, C & D

Class II  
Divisions 1 & 2  
Group E, F & G

Class III

UL 1203 Listed

102dB @ 1m

Diode polarized on 24v Dc

Loud, clear ring

6-inch gong

### Material

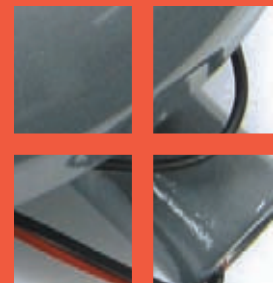
Cast Zinc 'Zamak'

#### Code No:

#### Voltage:

#### Current:

EA6B-K435EX-6E1	12v Dc ---	0.52 A
EA6B-K435EX-6G1	24v Dc ---	0.21 A
EA6B-K340EX-6N5	120v Ac ~	0.041 A
EA6B-K340EX-6R5	240v Ac ~	0.021 A



**Kg** 3.2

**dB** 102

**°C** 0+49

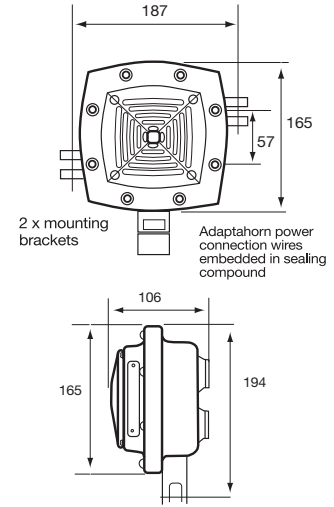
**IP** 65

**CONTINUOUS**

**UL EXPLOSION PROOF**

# Audible Signals EXPLOSION PROOF

## SOUNDERS



## UL Explosion Proof Buzzers > Product overview

The Adaptahorn range of explosion proof, UL approved buzzers offer a heavy-duty, high decibel vibrating signal for hazardous locations. The

buzzers feature a low power drain, ensuring efficient operation over long periods. Diode polarized version available on 24v Dc.

### Features

UL Listed for Class I Divisions 1 & 2 Groups B, C & D

Class II Divisions 1 & 2 Group E, F & G

Class III locations

Distinctive sound

### Material

Cast Zinc 'Zamak'

Code No:	Voltage:	Frequency:	Current:
EABK879EX-E1	12v Dc ---	350-400Hz	0.27 A
EABK879EX-G1	24v Dc ---	350-400Hz	0.16 A
EABK878EX-N5	120v Ac ~	350-400Hz	0.125 A
EABK878EX-R5	240v Ac ~	350-400Hz	0.065 mA



**Kg** 4.0

**50/60 Hz**

**dB** 109

**°C** 0+49

**IP** 55

**CONTINUOUS**