

Visual Signals LIGHT EMITTING DIODE BEACONS

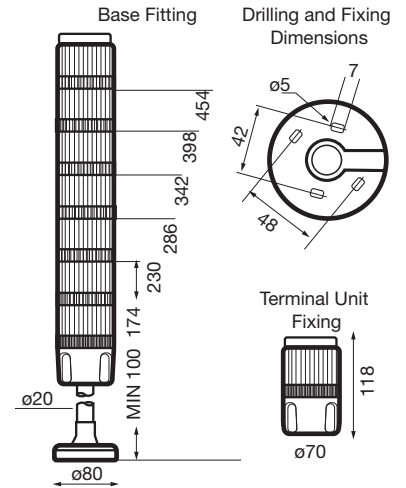


Traditional LED Static Tower Light Modular TLM Series >

Product overview

Ideally suited for status indication, the TLM Series beacons has been designed to offer a range of signalling options that are quick and easy to install. Once energised the lamp will stay permanently ON, often

referred to as a 'Steady Mode'. The range offers five colour modules that are designed to accommodate a Ba15d lamp fitting and a modular audible option that is attached to the top of the tower. The Mounting Cap and Base are required for all installations whereas the Foot and Pole mount are optional.



Features

- LED long life
- 360° visibility
- Continuously rated
- Combined audible & visual option
- Visually, lamp choice determines voltage
- Modular design allows for flexibility of construction and future upgrades

Material

UV Stable Polycarbonate Lens



Code No:	Voltage:	Current:	
TLM	12-230v	---	Light module Ba15d fitting, maximum 5 Watts
TLM-BC	12-230v	n/a	Mounting cap and base
Accessories Options			
TLM-AUD-24	24v Ac/Dc	0.02mA	Audible module
TLM-AUD-230	230v Ac/Dc	0.02mA	Audible module
TLM-P-100	n/a	n/a	Mounting foot and 100mm pole
TLM-P-150	n/a	n/a	Mounting foot and 100mm pole
LED Lamp 50130 (24v Ac/Dc = 50mA)			
LED Lamp 50132 (230v Ac/Dc = 50mA)			

Kg 0.35 Per Module

dB 90

°C -20+50

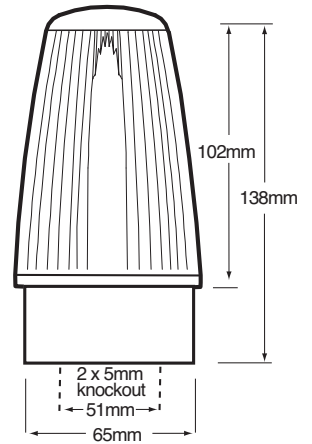
IP 54

INDUSTRIAL



ADD THE FOLLOWING LENS CODES TO THE PRODUCT CODE WHEN ORDERING



**BEACONS**Industrial Static Filament Beacons >
SF125 Series

Product overview

The SF125 Series is identical to Flashing Filament beacons with the exception that they do not operate through an On and Off cycle. When the unit is energised, the light source stays permanently 'On' - often referred to as

steady mode. The main advantage of this type of beacon is that the light can be controlled by a separate source, i.e. a control panel, giving the unit more flexibility. These units are supplied with a filament lamp. The light output is increased by the use of a reeded lens. Ideal for local signalling applications.

Features

- Continuously rated
- Suitable for surface or wall mounting
- Suitable for use with conduit BESA box
- Optional wall bracket & protective guard available - see accessory page
- Ideal for local signalling applications
- 360° visibility
- IP65

Material

- UV Stable Polycarbonate Lens
- UV Stable ABS Plastic Base

Code No:	Voltage:	Light Source:	Current:
SF125-80	12v Ac/Dc ~	Ba15d x 21w	1.75 A
SF125-81	24v Ac/Dc ~	Ba15d x 21w	0.88 A
SF125-82	115v Ac ~	Ba15d x 15w	0.13 A
SF125-83	230v Ac ~	Ba15d x 15w	0.07 A

**Kg** 0.1750/60 **Hz**

°C -35+55

IP 65**INDUSTRIAL**APPROVAL AND
CONFORMITIESADD THE FOLLOWING LENS CODES TO
THE PRODUCT CODE WHEN ORDERING

01 02 03 04 05

Visual Signals STATIC FILAMENT

BEACONS

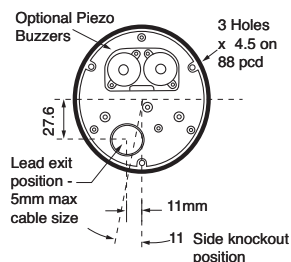
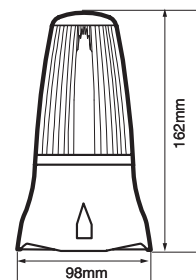


Industrial Flashing Filament Beacons > SF125 DIN & SFA125 Series

Product overview

Suitable for fire, security & light industrial applications, these beacons are of the Static Mode type. Once the unit is energised the lamp will stay permanently ON - often referred to as Steady Mode. The SFA version incorporates

two Piezo sounders situated in the base that are synchronised to the flash rate. An M12 sealing gromet in the base allows for cable entry and termination inside the enclosure. The main advantage of these units is that the flash rate can be controlled by an exterior source i.e. a control panel.



Features

- Continuously rated
- Combined audible & visual signal
- 360° visibility
- Cage guard option available - see accessory page
- 3 Point fix

Material

- UV Stable Polycarbonate Lens
- UV Stable ABS Plastic Base



Code No:	Voltage:	Light Source:	Current:
SF125-90	12v Dc ---	Ba15d x 21w	1.75 A
SF125-91	24v Dc ---	Ba15d x 21w	0.88 A
SF125-92	115v Ac ~	Ba15d x 15w	0.13 A
SF125-93	230v Ac ~	Ba15d x 15w	0.07 A
For Audible Option			
SFA125-80	12v Dc ---	Ba15d x 21w	1.80 A
SFA125-81	24v Dc ---	Ba15d x 21w	0.90 A
SFA125-82	115v Ac ~	Ba15d x 15w	0.15 A
SFA125-83	230v Ac ~	Ba15d x 15w	0.08 A

Kg 0.25
50/60 Hz
°C -25+55
IP 65
dB 90
INDUSTRIAL



ADD THE FOLLOWING LENS CODES TO THE PRODUCT CODE WHEN ORDERING



Visual Signals STATIC FILAMENT

BEACONS



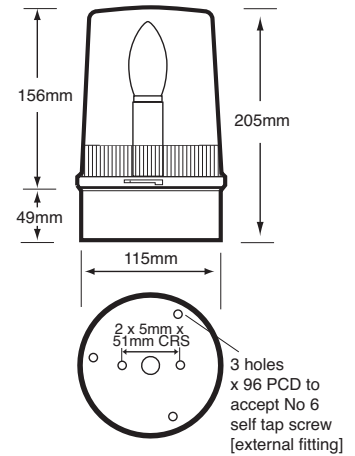
SF200-05/09



SF201-26/29



SF201-62/63



Industrial Static Filament Beacons > SF201/200 Series

Product overview

The SF201-200 Series is identical to Flashing Filament beacons with the exception that they do not operate through an On and Off cycle. When the unit is energised, the light source stays permanently 'On' - often referred to as steady mode. The main advantage of this type of beacon is that the light can be

controlled by a separate source, i.e. a control panel, giving the unit more flexibility. These units are available with either a filament or tungsten halogen lamp. The 201/200 Series uses a smooth outer lens. Low wattage models incorporate a Dioptic Fresnel internal lens to increase the light output. The use of the smooth outer lens makes cleaning of the unit easy and less likely to become ineffective due to a build-up of dirt.

Features

- Continuously rated
- Suitable for surface or wall mounting
- Suitable for use with conduit BESA box
- Low current consumption models available
- Optional wall bracket & protective guard available - see accessory page
- 360° visibility
- IP65

Material

- UV Stable Polycarbonate Lens
- UV Stable ABS Plastic Base



Code No:	Voltage:	Light Source:	Current:
SF201-26	12v Ac/Dc ~	Ba15d x 5w	0.42 A
SF201-27	24v Ac/Dc ~	Ba15d x 5w	0.21 A
SF201-28	12v Ac/Dc ~	Ba15d x 10w	0.84 A
SF201-29	24v Ac/Dc ~	Ba15d x 10w	0.42 A
SF201-62	12v Ac/Dc ~	H1 x 55w	4.60 A
SF201-63	24v Ac/Dc ~	H1 x 70w	2.90 A
SF201-05	12v Ac/Dc ~	Ba15d x 48w	4.00 A
SF201-06	24v Ac/Dc ~	Ba15d x 48w	2.00 A
SF201-07	48v Dc ---	Ba15d x 35w	0.65 A
SF200-08	115v Ac ~	Ba15d x 60w	0.55 A
SF200-09	230v Ac ~	Ba15d x 60w	0.29 A
FL200-09	230v Ac ~	Compact Fluorescent	

Kg 0.76

50/60 Hz

°C -35+55

IP 65

INDUSTRIAL

APPROVAL AND CONFORMITIES



ADD THE FOLLOWING LENS CODES TO THE PRODUCT CODE WHEN ORDERING

01 02 03 04 05

BEACONS



SF401/400-05/09



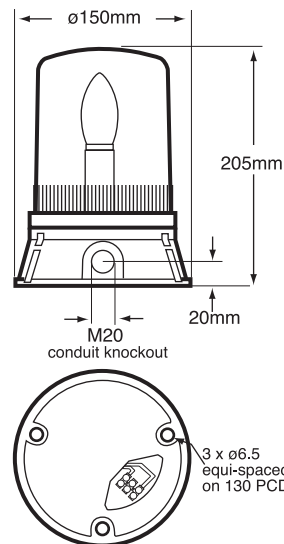
SF401-62/63

Industrial Static Filament Beacons > SF401/400 DIN Base Series

Product overview

The SF401/400 DIN Base Series is identical to Flashing Filament beacons with the exception that they do not operate through an On and Off cycle. When the unit is energised, the light source stays permanently 'On' - often referred to as steady mode. The main advantage of this type of beacon

is that the light can be controlled by a separate source, i.e. a control panel, giving the unit more flexibility. These units are available with either a filament or tungsten halogen lamp. The use of the smooth outer lens makes cleaning of the unit easy and less likely to become ineffective due to a build-up of dirt. The Din Base series offers the installer the option of a three point fix using external fixing points.



Features

- Continuously rated
- Suitable for surface mounting
- Optional protective guard available - see accessory page
- 360° visibility
- IP65

Material

- UV Stable Polycarbonate Lens
- UV Stable ABS Plastic Base



Code No:	Voltage:	Light Source:	Current:
SF401-62	12v Ac/Dc ~	H1 x 55w	4.60 A
SF401-63	24v Ac/Dc ~	H1 x 70w	2.90 A
SF401-05	12v Ac/Dc ~	Ba15s x 48w	4.00 A
SF401-06	24v Ac/Dc ~	Ba15s x 48w	2.00 A
SF401-07	48v Dc ---	Ba15d x 35w	0.65 A
SF400-08	115v Ac ~	E14 x 60w	0.55 A
SF400-09	230v Ac ~	E14 x 60w	0.29 A

Kg 0.71
50/60 Hz
°C -35+55
IP 65
INDUSTRIAL



ADD THE FOLLOWING LENS CODES TO THE PRODUCT CODE WHEN ORDERING

